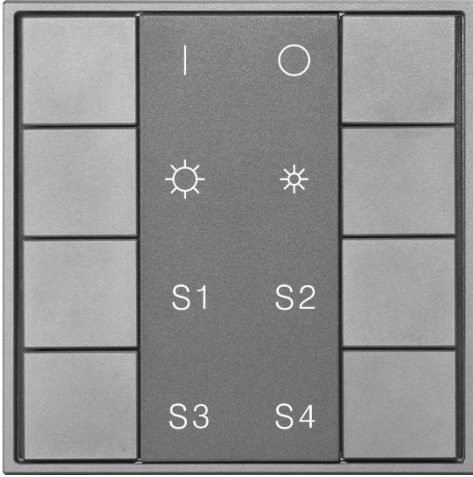


**DATA SHEET**

**Push Button DALI DT6 Controller**

**Item number**

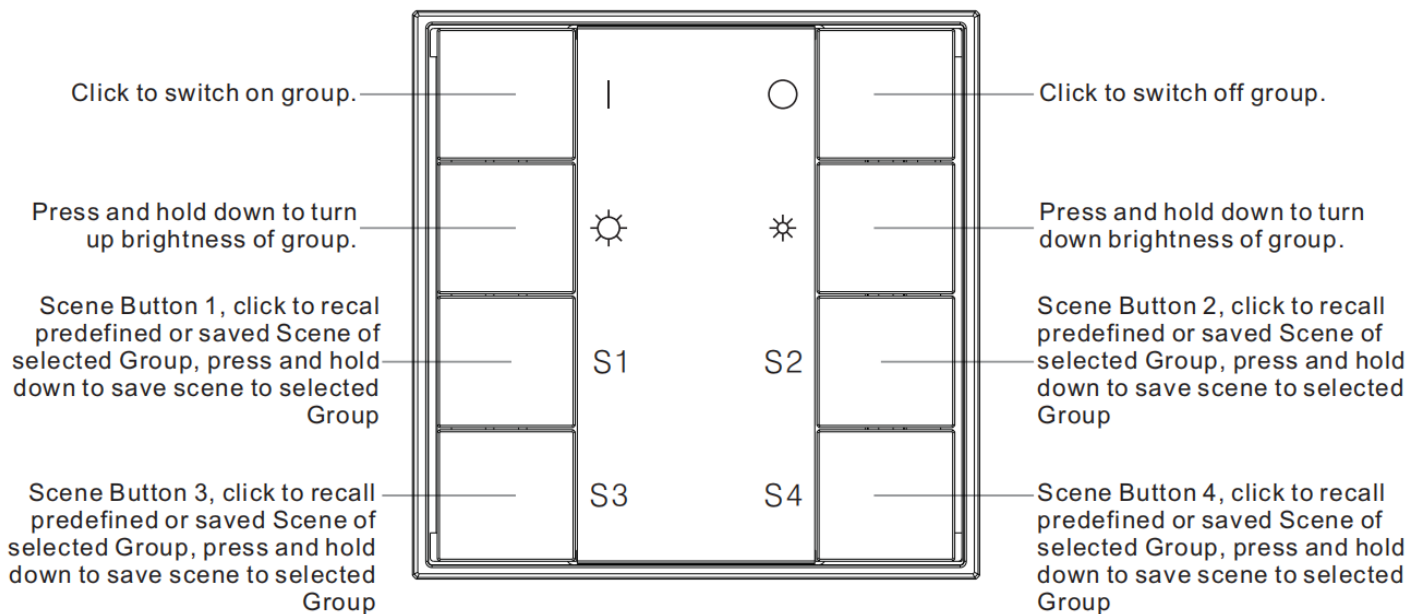
CT-DL-1014



- DALI DT6 push button controller
- Ultra slim and luxury design
- Material and finishing color can be customized
- With back lighting design, easy to find even in dark night
- DALI bus powered, no extra power supply required
- Each channel DALI bus can install multiple controllers
- Enables to select and control 1 DALI group from total 16 DALI groups
- Enables to select and control 4 DALI scenes from total 16 DALI scenes
- Easy installation with mounting bracket
- Waterproof grade: IP20



**Function Introduction**



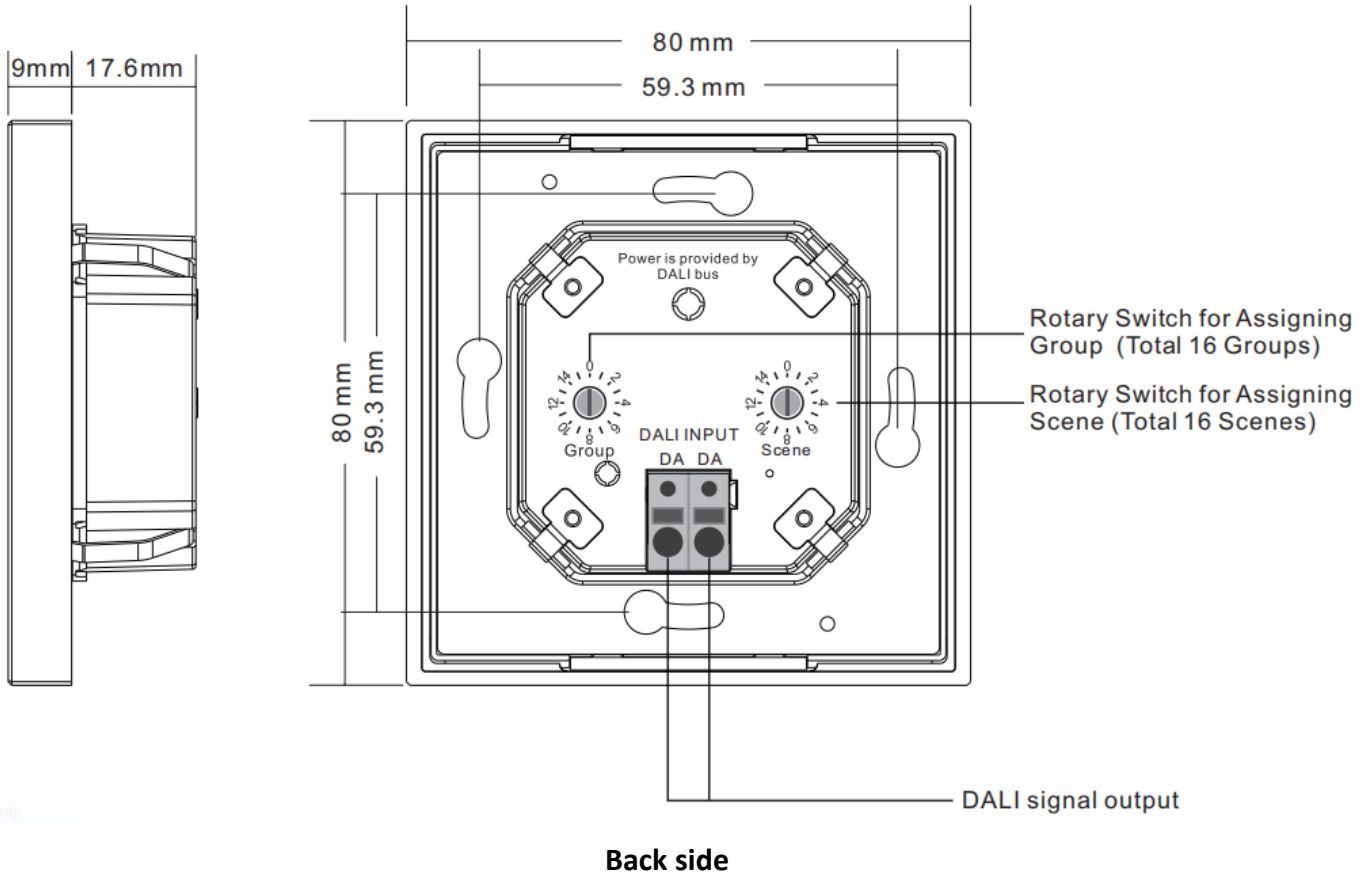
**Front side**

**DATA SHEET**

**Push Button DALI DT6 Controller**

**Item number**

CT-DL-1014



**Technical data**

**GENERAL**

Power supply	Supply By DALI Bus
Output	DALI signal
Operation current	30mA
Operating temperature	0-40°C
Relative humidity	8% to 80%
Dimensions	80x80x26.6mm

**Safety & Warnings**

- DO NOT install with power applied to device.
- DO NOT expose the device to moisture.

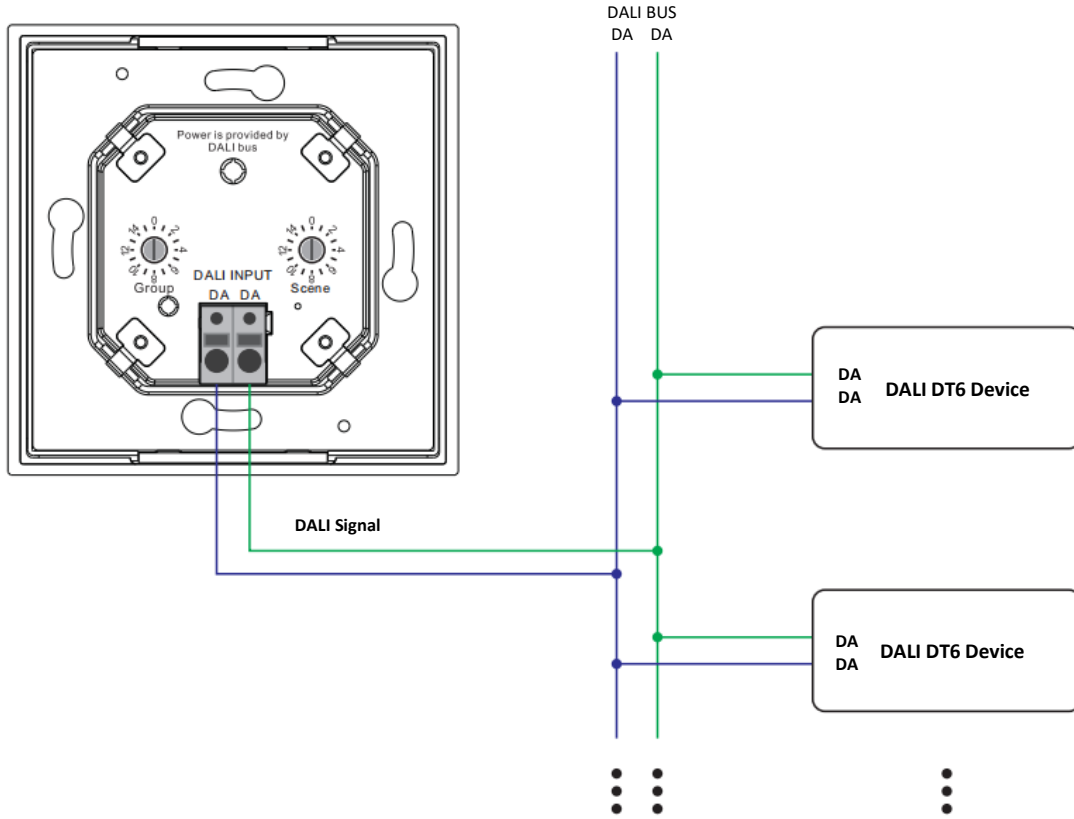
**DATA SHEET**

**Push Button DALI DT6 Controller**

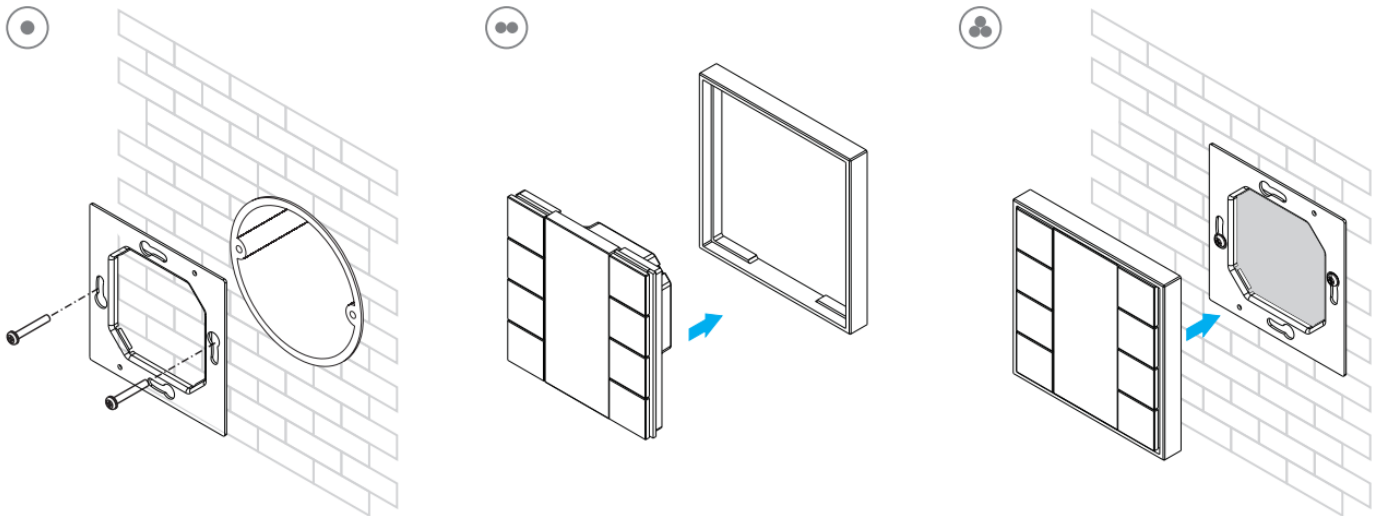
**Item number**

CT-DL-1014

**Wiring Diagram**



**Installation**



## DATA SHEET

## Push Button DALI DT6 Controller

### Item number

CT-DL-1014

### Operation

1. Do wiring according to connection diagram correctly.
2. Set starting Group number via rotary switch on the back: (0-15 selectable)
  - This DALI push button controller enables dimming commands to be sent to One Group of devices on the DALI circuit. A rotary switch on the back is used to select the DALI Group you would like to control and set the starting Group number, and total 16 Groups (0-15) can be selected.
  - When the rotary switch arrow position is at 0, the controller controls all devices on DALI circuit through broadcast.
  - When the rotary switch arrow position is at X except 0 (1-15), the controller controls devices in Group X-1.  
For example: Rotary switch arrow at 1, the controller controls devices in Group 0. Rotary switch arrow at 15, the controller controls devices in Group 14.

Please refer to the detailed Group setting table as follows:

Rotary Switch Position	0	1	2	3	4	5	6	7	8	9	10	11	12	13	14	15
DALI Group Selected	Broadcast	0	1	2	3	4	5	6	7	8	9	10	11	12	13	14

**Note: please assign the devices on DALI circuit to a DALI group(0-15) with DALI master controller first.**

3. Set starting Scene number via rotary switch on the back: (0-15 selectable)
  - This DALI push button controller enables Scene selection commands for up to four Scenes to be sent to the DALI circuit by 4 Scene buttons S1, S2, S3, S4. A rotary switch on the back is used to select Scenes you would like to control and set the starting scene number, and total 16 Scenes (0-15) can be selected.
  - When the rotary switch arrow position is at X (0-15), Scene button S1 controls Scene X, S2 controls Scene X+1, S3 controls Scene X+2, S4 controls Scene X+3.

For example: Rotary switch arrow at 0, button S1 controls Scene 0, S2 controls Scene 1, S3 controls Scene 2, S4 controls Scene 3. Rotary switch arrow at 15, button S1 controls Scene 15, S2 controls Scene 0, S3 controls Scene 1, S4 controls Scene 2.

**DATA SHEET**

**Push Button DALI DT6 Controller**

**Item number**

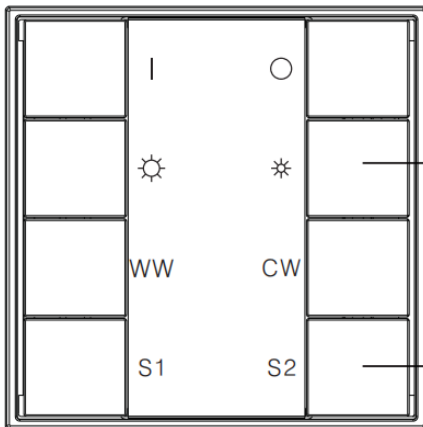
CT-DL-1014

Please refer to the detailed Scene setting table as follows:

Rotary Switch Position	0	1	2	3	4	5	6	7	8	9	10	11	12	13	14	15
Scene assigned to S1	0	1	2	3	4	5	6	7	8	9	10	11	12	13	14	15
Scene assigned to S2	1	2	3	4	5	6	7	8	9	10	11	12	13	14	15	0
Scene assigned to S3	2	3	4	5	6	7	8	9	10	11	12	13	14	15	0	1
Scene assigned to S4	3	4	5	6	7	8	9	10	11	12	13	14	15	0	1	2

**Note: please predefine DALI scenes(0-15) to the devices on DALI circuit with DALI master controller first.**

**4. Save Scenes**



**Step 1:** Power on the DALI system

**Step 2:** Operate buttons to select a CCT and brightness

**Step 3:** Press and hold down button S1-S2(e.g. S2 ) until the LED light connected with the controlled DALI devices flashes, which indicates the scene is saved in S2 successfully.

**Note:** The saved scenes will cover the predefined ones.